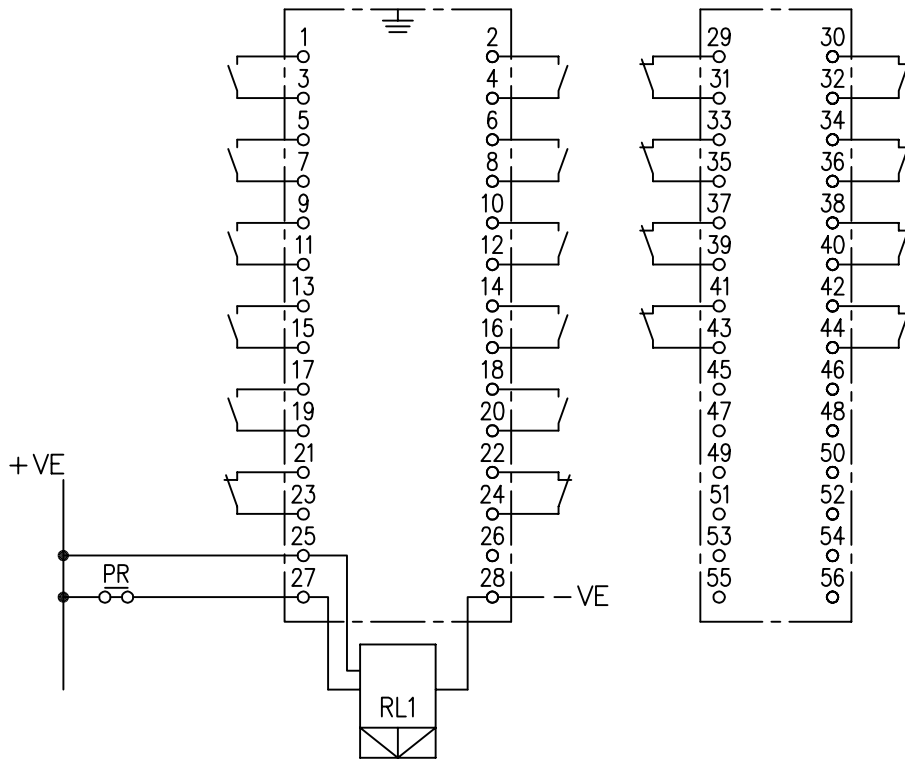


LOOKING ON REAR OF RELAY

2112W50175



- KEY**
- make contact
 - break contact
 - c/o contact
 - ext. conn plug bridge

FOR INFORMATION ONLY
UNCONTROLLED COPY
NOT SUBJECT TO UPDATE

ASSEMBLY INSTRUCTIONS: -

AT INDICATED POSI

S - FIT STANDARD CONTACT 2995B10054
SECURE CONTACTS USING FIXING SCREW

POSITIONS SHOWN BLANK ARE UNUSED

30	T	T	29	2	T	T	1
32	T	T	31	4	T	T	3
34	T	T	33	6	T	T	5
36	T	T	35	8	T	T	7
38	T	T	37	10	T	T	9
40	T	T	39	12	T	T	11
42	T	T	41	14	T	T	13
44	T	T	43	16	T	T	15
46			45	18	T	T	17
48			47	20	T	T	19
50			49	22	T	T	21
52			51	24	T	T	23
54			53	26	S	S	25
56			55	28	S	S	27

VIEW FROM NUMBERED
SIDE OF BLOCK

OUTER TERMINAL BLOCK ASSY: -

ASSEMBLY INSTRUCTIONS: -

TYPICAL ASSEMBLY DRAWING 2995G10029.
AT INDICATED POSITIONS FIT AS FOLLOWS:
S - FIT STANDARD CONTACT 2995B10051
HC - FIT 'HEAVY CURRENT' KIT 2995G10030
WHERE IS SHOWN FIT CT SHORTING
KIT 2995G10031
POSITIONS SHOWN BLANK ARE UNUSED.
ALL POSITIONS FIT SCREW 2106F12506.

30	S	S	29	2	S	S	1
32	S	S	31	4	S	S	3
34	S	S	33	6	S	S	5
36	S	S	35	8	S	S	7
38	S	S	37	10	S	S	9
40	S	S	39	12	S	S	11
42	S	S	41	14	S	S	13
44	S	S	43	16	S	S	15
46			45	18	S	S	17
48			47	20	S	S	19
50			49	22	S	S	21
52			51	24	S	S	23
54			53	26	S	S	25
56			55	28	S	S	27

FACE

SIDE

Copyright © 2005 VATECH REYROLLE ACP Ltd. Hebburn

1	21/10/05	MOD.No.	Title. T. BLOCK & WIRING FOR 10M10B SELF RESET DELAYED DO TRIP RELAY -E4 CASE		First used on:
			VATECH REYROLLE AUTOMATION, CONTROL & PROTECTION		Similar Articles:
Original Scale. :		Supersedes:			
		Drg.No. 2112W50175		IE:	
DRAWN: RDW CHECKED: RDW APPROVED: RD.WATSON DATE: 21/10/05				OPS:	